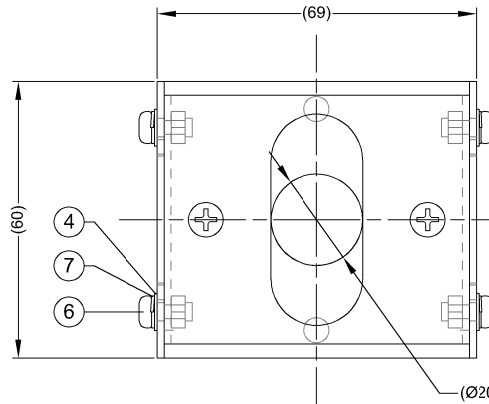
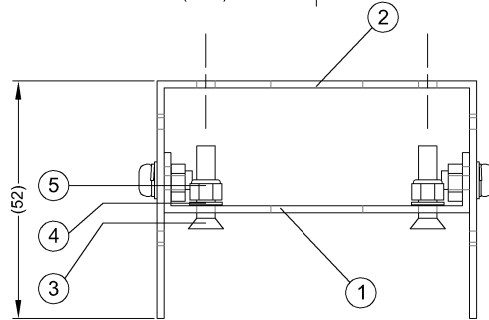
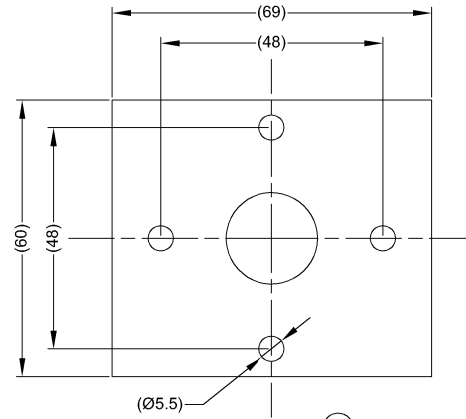


ITEM	PART NO	QTY	MODEL / DESCRIPTION
①	(6364)	1	BN360-100C-BKT02A-B - FRONT PLATE
②	(6365)	1	BN360-100C-BKT02B-B - REAR BRACE
③	N/A	2	M4X18 STAINLESS STEEL CSK SCREW
④	N/A	6	M4 STAINLESS STEEL PLAIN WASHER
⑤	N/A	2	M4 STAINLESS STEEL NYLOC NUT
⑥	N/A	4	M4X10 STAINLESS STEEL PAN HEAD SCREW
⑦	N/A	4	M4 STAINLESS STEEL SPRING WASHER



Revision Notes.				
R1 -				
APA: -	Drawn:-	Checked:-	Approved:-	Date: -

CHANGES FROM BASE PRODUCT BN360-100C-BKT(2 (4714A) TO BN360-100C-BKT02-B (6363)

CHANGE:

1. BN360-100C-BKT02A (4700A) CHANGED TO BN360-100C-BKT02A-B (6364).
2. BN360-100C-BKT02B (4713) CHANGED TO BN360-100C-BKT02B-B (6365)
3. FINISH CHANGED FROM NATURAL TO SEMI GLOSS BLACK POWDER COAT.

OPERATION:

1. SAME AS BASE PRODUCT

**NOTES:**

1. MATERIAL: 1.5MM (16SWG) 4003 STAINLESS STEEL.
2. FINISH: BLACK SEMI GLOSS POWDER COAT.
3. SUPPLIED WITH FIXINGS LOOSELY FITTED.
4. REFER TO COMPONENT DRAWINGS FOR COMPONENT DETAIL.
5. SPRING WASHERS ARE RECOMMENDED WHEN MOUNTING THE CAMERA TO THE BRACKET TO ENSURE A SECURE FIT.
6. FOR PACKAGING DETAILS REFER TO MASTER BOM.
7. ANY CUSTOMER MODIFICATION OF THIS PRODUCT CAUSING SUBSEQUENT FAILURE IS NOT A LIABILITY OF BRIGADE ELECTRONICS PLC

**PROPRIETARY NOTICE**

THIS DESIGN AND TECHNICAL INFORMATION APPEARING ON THIS DRAWING IS THE PROPERTY OF BRIGADE ELECTRONICS, AND IS DISCLOSED IN CONFIDENCE. IT IS NOT TO BE COPIED, REPRODUCED, REVEALED TO OR EXPROPRIATED BY OTHERS, EITHER IN WHOLE OR IN PART WITHOUT THE EXPRESS WRITTEN CONSENT OF BRIGADE ELECTRONICS.

**BRIGADE®**  
www.brigade-electronics.com

Assembly Pl Approval S. CROXALL	Approved by S. LAVER	Checked by J. TYRRELL	Drawn by A. FOSTER
<p>Angle of Projection</p> <p>Third Angle</p>	Units mm	Scale N/A	Released 13/11/20
	Status RELEASED	Assembly Ref -	
	Part No 6363	BE-004479-00-20	